



# High-Speed Doors

NEW: Spiral doors and high-speed sectional doors with 42 / 67 mm with thermal breaks







Hörmann brand quality	4
Sustainable production	6
<b>Spiral doors and high-speed sectional doors</b>	<b>8</b>
Good reasons to try Hörmann	10
HS 7030 PU 42	42 mm insulated with non-contact roll-up technology
HS 5015 PU N 42	42 mm insulated with normal track application
HS 5015 PU H 42	42 mm insulated with high-lift track application
HS 6015 PU V 42	42 mm insulated with vertical track application and counter weights
HS 5015 PU H 67	67 mm insulated high-lift track application
HS 6015 PU V 67	67 mm insulated with vertical track application and counter weights
HS 5015 Acoustic H	Acoustic-rated with high-lift track application
Iso Speed Cold H 100	100 mm insulated as a cold store and deep freeze door
Iso Speed Cold V 100	100 mm insulated as a cold store and deep freeze door
<b>Flexible high-speed doors</b>	<b>18</b>
Good reasons to try Hörmann	20
<b>Internal doors</b>	<b>22</b>
V 4015 SEL R	With SoftEdge, tubular drive and small fitting dimensions
V 5015 SEL	With SoftEdge and anti-crash
V 5030 SEL	With SoftEdge and anti-crash
<b>Internal and external doors</b>	<b>26</b>
V 6030 SEL	With SoftEdge and anti-crash
V 6020 TRL	With transparent curtain
V 9012 L Stacking	With folding curtain for large openings
V 10008	For especially large openings
<b>Internal doors for special applications</b>	<b>30</b>
V 4015 Iso L	Insulated for fresh logistics
V 2515 Food L	The food industry door
V 2012	The supermarket door
V 3015 Clean	The clean room door
<b>Internal doors for individual needs</b>	<b>34</b>
V 5030 MSL	For protecting people and machines
V 3009 Conveyor	The conveyor technology door
V 6030 Atex	For explosive areas <b>// NEW</b>
H 3530	The horizontal door
<b>Operator and control technology</b>	<b>38</b>
FU controls	40
Accessories	42
Hörmann product range	44

Copyright: No part or excerpt may be reproduced without our prior permission.  
Subject to changes. The doors shown are example applications – no guarantee.

# Hörmann brand quality

Reliable and oriented towards the future



## High-speed progress

Without on-going development and improvements by our highly-qualified technicians as well as comprehensive knowledge of all the market requirements, efficient high-speed door designs of a recognised high standard would not be possible.



## Precise production

Innovative production processes that have been matched perfectly with each other are a guarantee for steadily increasing product quality. An example: the modern hot air welding system that enables a precise and automated welding of the door curtains.



As Europe's leading manufacturer of doors, hinged doors, frames and operators, we are committed to high product and service quality. This is how we set standards on an international scale.

Highly-specialised factories develop and produce construction components that are marked by excellent quality, functional safety and a long service life.

Our presence in the global economy's key regions makes us a strong, future-oriented partner for industrial and public construction projects.



**Certified safety**  
Hörmann high-speed doors are manufactured in line with stringent European standards and are, of course, certified.



It goes without saying that spare parts for doors, operators and controls are Hörmann parts that come with a guaranteed availability of 10 years.



### Competent advice

Experienced specialists within our customer-oriented sales organisation accompany you from the planning stage, through technical clarification up to the final building inspection. Complete working documentation is not only available in printed form but is always accessible and up-to-date.  
[www.hoermann.com](http://www.hoermann.com).



### Efficient service

Our extensive service network means that we are never far away which is a major advantage in terms of inspections, maintenance and repairs.

# Sustainable production for future-oriented construction



## Sustainability verified and documented by ift Rosenheim

Hörmann is the only manufacturer who already received confirmation of the sustainability of all its high-speed doors through an environmental product declaration (EPD) in accordance with DIN ISO 14025 and EN 15804 from the Institut für Fenstertechnik (ift – Institute of window technology) in Rosenheim. The inspection was based on the Product Category Rules (PCR) “Doors and Gates”. Environmentally-friendly production was confirmed by a life-cycle analysis in accordance with DIN EN 14040 / 14044 for all high-speed doors.

## Sustainably produced: Hörmann’s high-speed doors

### Ecological quality

Environmentally-friendly production through a comprehensive energy management system

### Economical quality

A long service life and low maintenance costs thanks to the use of high-quality materials

### Process quality

Resource-conserving production processes through optimised material use

## Sustainable construction with Hörmann’s expertise

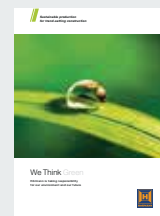
Hörmann has been able to gain great expertise in sustainable construction through various projects. We also apply this know-how to support your projects. Another advantage: For every project order, the required data for LEED certification are automatically generated.

breeam



DGNB

Deutsche Gesellschaft für Nachhaltiges Bauen e.V.  
German Sustainable Building Council



Find out more about Hörmann’s environmental activities in the “We think green” brochure.

# Simple and sustainable planning

With the Hörmann Architects' Program and energy savings compass



## The Architects' Program

More than 9000 drawings for over 850 products

Planning with Hörmann products is now even easier thanks to a modern, user-friendly interface. Clearly structured navigation via drop-down menus and symbols, as well as a search function, provides quicker access to tender specifications and drawings (in DWG and PDF format) of over 850 Hörmann products. Photo-realistic presentations provide additional information on many products.

The Architects' Program can be downloaded free-of-charge from the Hörmann Architects' Forum.

## The energy savings compass

For sustainable planning

Hörmann's energy savings compass shows how external and internal doors are planned with energy-efficiency and sustainability in mind. An integrated calculation module estimates the amortisation period for door modernisation.



Plan with the energy savings compass at:  
[www.hormann.co.uk/energysavingscompass](http://www.hormann.co.uk/energysavingscompass)

# Spiral doors and high-speed sectional doors

With insulating sections for a high thermal insulation







### **Optimised processes**

The high opening and closing speeds of spiral and high-speed sectional doors optimise work processes and significantly accelerate logistics processes. Depending on the version, the hot-galvanized, double-skinned sections are guided into a spiral or into tracks.

### **Excellent thermal insulation**

The sturdy steel sections of the doors have thermal breaks and are PU-foamed. As a result you benefit from excellent thermal values of up to  $0.64 \text{ W}/(\text{m}^2 \cdot \text{K})$  and minimise energy loss. For the special requirements in cold and refrigeration logistics, high-speed doors with 100 mm-thick sections are the first choice.

### **Reliable security**

High speeds require special safety precautions. The solution: a standard light grille that is protected inside the side elements of the door. The door's closing zone is monitored here without any contact – and up to a height of 2500 mm.

# Good reasons to try Hörmann

Quality features of spiral doors and high-speed sectional doors



## 1 Safety as standard

### Non-contact safety

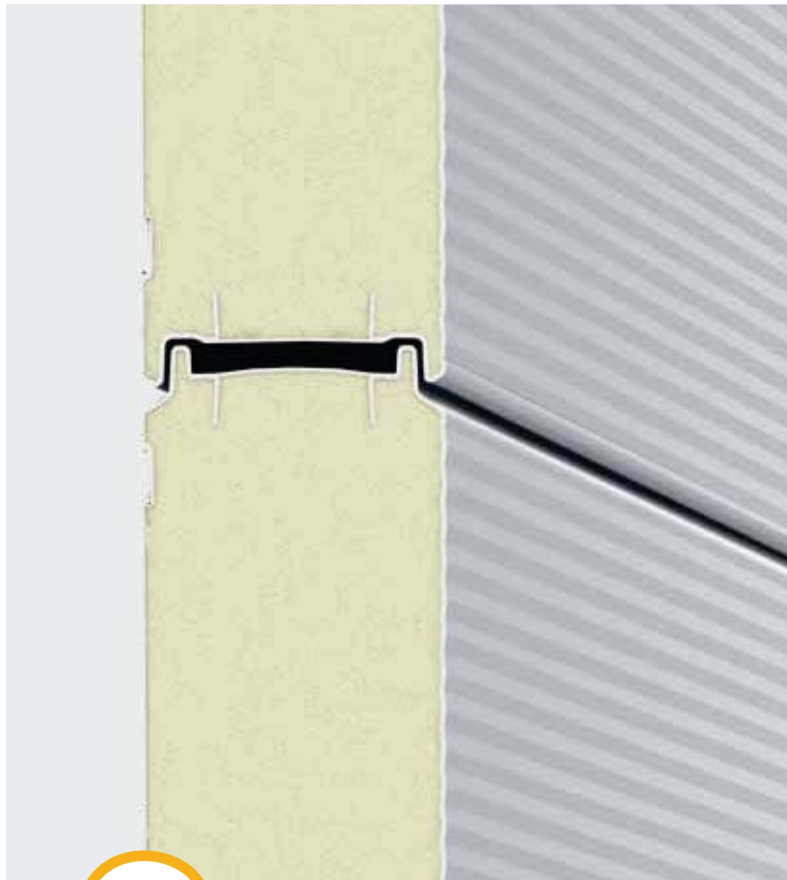
Safety light grilles integrated into the side elements monitor the closing zone of the door leaf up to a height of 2500 mm. The safety light grilles ensure compliance with safety requirements in accordance with DIN EN 13241-1. This does away with the need for additional installations on the door (e.g. closing edge safety device, photocell). Profit from this high level of safety with a high-speed door that is exceptionally easy to fit and service.

## 2 Optimised operations

### Long service life and high efficiency as standard

The frequency converter control takes stress off the entire door mechanism, guaranteeing nearly wear-free, quiet door travel. The high opening and closing speeds optimise your operations and reduce heat losses. In addition, they relieve the entire door mechanism through the smooth starting and braking action which considerably extends the service life of the door. For heavy, insulated doors the door travel is supported by springs, and for high-speed sectional doors with H and V track applications by wear-free counter weights.

**Glazing beads facilitate the exchange of individual panes**



**Only from Hörmann**



**3**

**Efficient thermal insulation**

**4**

**A permanently clear view**

**Uniformly foamed steel sections**

The hot-galvanized, double-skinned sections with PU rigid foam infill offer an especially high level of thermal insulation. The doors are supplied as standard in White aluminium (RAL 9006). The exterior is characterised by the fine Micrograin lines, on the interior the sections are Stucco-textured.

**Increased thermal insulation thanks to ThermoFrame**

Well-insulated high-speed doors are essential in heated halls. The ThermoFrame separates the side element from the building structure. The thermal break along with additional seals improves thermal insulation by up to 15 % and is easy and quick to fit. The ThermoFrame can be optionally ordered for doors with 42-mm and 67-mm-thick sections. It is already included in the scope of delivery for Iso Speed Cold 100 doors.

\* For 25 m<sup>2</sup> door size

**Optional glazing**

Duratec glazing guarantees maximum scratch resistance despite heavy use in rough industrial environments. The special surface coating protects the pane from scratches and damage caused by cleaning.

For 67 mm insulated doors, you receive the aluminium glazing frame with thermal break with triple glazings. We deliver 42 mm insulated doors with double glazing.



The glazing beads on the inside allow defective panes to be exchanged easily and quickly.

# Spiral doors and high-speed sectional doors

With insulating sections for a high thermal insulation



## Quick and well-insulated

The high opening and closing speeds reduce heat losses.

## The space-saving track application N

For tight spaces in the lintel area, we recommend track application N.





**The adjustable H and V track applications**

These allow the door to be fitted behind or above supply lines, for example. Door travel is supported by low-wear counter weights.

**For cold store and deep freeze areas**

The 100 mm-thick sections of the Iso Speed Cold 100 reliably separate areas with high temperature differences.



# Spiral doors and high-speed sectional doors

## Section with thermal break and high thermal insulation

### 42 mm thermal break Steel sandwich section

The 42 mm-thick PU-foamed steel sections are particularly robust and offer excellent thermal insulation which can be further improved with an optional ThermoFrame.

### 67 mm steel sandwich section with thermal break

For higher thermal insulation requirements we recommend the 67 mm-thick sections with a thermal insulation value of up to 0.64 W/(m<sup>2</sup>·K). The optional ThermoFrame also improves the thermal insulation for this version by up to 15 % (for 25 m<sup>2</sup> door surface).

### 100 mm steel sandwich section with thermal break

This door version is the optimal door for the cold store and deep freeze areas and is delivered with ThermoFrame as standard. For fitting in the deep freeze areas, the side elements, the operator, the control as well as the sealing frame and base plates are delivered heated.

### Acoustic sections

For the special requirements of acoustic insulation, the HS 5015 Acoustic H high-speed doors are equipped with aluminium hollow profiles. The hollow profiles are filled with 5 mm PVC and 30 mm PU-foam.

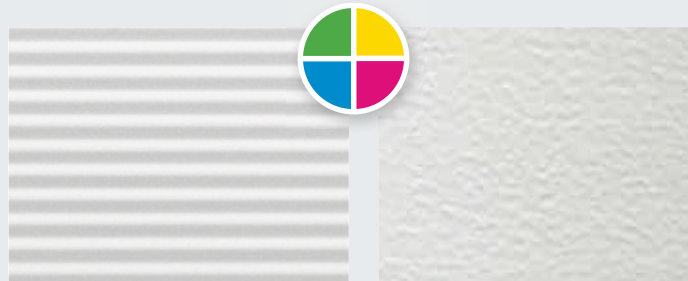
### Surface finishes and colours

The 42 and 67 mm-thick sections are delivered with elegant Micrograin surface on the exterior and Stucco surface on the interior – exterior and interior are White aluminium based on RAL 9006 as standard. The 100 mm-thick sections come Stucco-textured on the interior and exterior in standard Grey white based on RAL 9002.

Optionally, we supply all door leaves in over 200 colours based on RAL.



Double-skinned steel sandwich sections with thermal breaks in three thicknesses: 42, 67 and 100 mm



Micrograin surface, on exterior for 42, 67 mm sections

Stucco texture, on exterior for 100 mm sections



Acoustic section

**Excellent thermal insulation  
with a U-value of up to 0.57 W/(m<sup>2</sup>·K)**

## Features

<b>Door leaf</b>				
Design	Steel sandwich construction, PU-foamed	Steel sandwich construction, PU-foamed	Steel sandwich construction, PU-foamed	Aluminium hollow profile, 5 PVC / 30 PU
Depth (mm)	42	67	100	42
Section height (mm)	250	375	500	225
Exterior / interior surface	Micrograin / Stucco	Micrograin / Stucco	Stucco	smooth
Standard colour	RAL 9006	RAL 9006	RAL 9002	C0 anodised
ThermoFrame	○	○	●	–
Duratec glazing, double	○	–	–	–
Duratec glazing, triple	○	○	–	–
<b>Speed with standard FU control</b>				
Max. opening (m/s)	1.5–2.5	1.5–2.5	1.5–2.0	1.5–2.5
Closing approx. (m/s)	0,5	0,5	0,5	0,5
<b>Resistance to wind load (EN 12424)</b>				
Door width ≤ 5000 mm	Class 5	Class 5	Class 3	Class 4
Door width > 5000 mm ≤ 6000 mm	Class 4	Class 4		
Door width > 6000 mm	Class 2	Class 2		
<b>Water tightness under heavy rain (EN 12489)</b>				
	Class 2			
<b>Air permeability (EN 12426)</b>				
	Class 2			
<b>Acoustic insulation (EN 717-1) without glazing</b>				
R = dB	26	26	26	31
<b>Thermal insulation (EN 12428) door size 4000 × 4000 mm, without glazing with ThermoFrame</b>				
U-value in W/(m <sup>2</sup> ·K)	1,04	0,64	0,57	
<b>Emergency opening / emergency closing</b>				
Emergency hand chain	●	●	●	●
Automatic door opening via UPS in case of power failure (up to approx. 9 m <sup>2</sup> door surface)	○	–	–	–
● = Standard ○ = Optional				
All colours based on RAL.				

# Spiral doors and high-speed sectional doors

## Individual track application versions for every fitting situation

### The compact spiral track application

The sections are securely guided into a spiral bracket without any contact. With the high-performance frequency converter control (FU) and the chain mechanism with spring compensation, the door reaches an opening speed of up to 2.5 m/s. The spiral door HS 7030 PU can also be fitted externally.



Spiral track application

### The space-saving track application N

We recommend this track application for tight spaces in the lintel area. A chain mechanism with spring compensation runs the sections into horizontal tracks. This requires a low headroom of 480 mm.



Normal track application

### The adjustable track application H

The sections are guided in horizontal tracks and can be diverted flexibly depending on the fitting situation. Thus, the door can be fitted behind or above supply lines and crane tracks. Thanks to the belt mechanism with counter weights, the door is especially low-wear and long-lasting thanks to the belt mechanism.



High-lift track application

### The wear-free track application V

The sections run vertically along the hall wall, making the door movements very quiet and wear-free. The belt mechanism with counter weights guarantees a long service life with constant use.



Vertical track application



## Features

Fitting	Spiral fitting	Track application N (normal)	Track application H (high-lift)	Track application V (vertical)
<b>Counterbalance</b>				
Chain mechanism and springs	●	●		
Belt mechanism and counter weights			●	●
<b>42 mm steel sandwich section, PU-foamed, with thermal break</b>				
Door type	<b>HS 7030 PU 42</b>	<b>HS 5015 PU N 42</b>	<b>HS 5015 PU H 42</b>	<b>HS 6015 PU V 42</b>
Max. width (mm)	6500	5000	5000	6500
Max. height (mm)	6500	6500	6500	6500
Min. required headroom (mm)	920	480	750	LDH + 585
<b>67 mm steel sandwich section, PU-foamed, with thermal break</b>				
Door type			<b>HS 5015 PU H 67</b>	<b>HS 6015 PU V 67</b>
Max. width (mm)			5000	6500
Max. height (mm)			6500	6500
Min. required headroom (mm)			950	LDH + 735
<b>100 mm steel sandwich section, PU-foamed, with thermal break</b>				
Door type			<b>Iso Speed Cold H 100</b>	<b>Iso Speed Cold V 100</b>
Temperature range (deviating temperatures on request)			Fitting side to 0°C Opposite side -28°C	Fitting side -28°C Opposite side -28°C
Max. width (mm)			5000	5000
Max. height (mm)			5000	5000
Min. required headroom (mm)			750	LDH + 585
<b>42 mm aluminium hollow profile, filled with 5 mm PVC and 30 mm PU-foam</b>				
Door type			<b>HS 5015 Acoustic H</b>	
Max. width (mm)			5000	
Max. height (mm)			5000	
Min. required headroom (mm)			1000	

● = Standard ○ = Optional

All colours based on RAL.

# Flexible high-speed doors

Internal and external doors





## Benefits

Flexible high-speed doors speed up workflows and reduce energy costs. They feature safe door operation and a long service life thanks to standard equipment with an FU control, safety light grille and SoftEdge bottom profile. In fact, they offer even more benefits: flexible high-speed doors are low-maintenance, easy to fit, cost-efficient and therefore economical for daily use.

## Solution for interior use

Thanks to the high opening and closing speeds, heat losses on the door as well as draughts at the workplace are noticeably reduced resulting in less work absences due to illness.

## Solution for external use

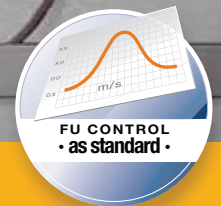
Flexible high-speed doors help you effectively reduce your energy losses even for external door openings, as well as draughts on the doors. External doors can withstand even high wind loads without any problems.

## Individual solutions

Various demands require individual door solutions. Based on our expert know-how, we develop customer-specific solutions for special application areas such as conveyor systems, the food industry, clean rooms, cooling zones or for machine safety.

# Good reasons to try Hörmann

## Quality features of the flexible high-speed doors



# 1

## Safety as standard

### Non-contact safety

Safety light grilles integrated into the side elements monitor the closing zone of the door leaf up to a height of 2500 mm. The safety light grilles ensure compliance with safety requirements in accordance with DIN EN 13241-1. It pays to compare! This does away with the need for additional installations on the door (e.g. closing edge safety device, photocell). Profit from this high level of safety with a high-speed door that is exceptionally easy to fit and service.

# 2

## Optimised operations

### Long service life and high efficiency as standard

The frequency converter control takes stress off the entire door mechanism, guaranteeing nearly wear-free, quiet door travel. The high opening and closing speeds optimise your operations and reduce heat losses. In addition, it relieves the entire door mechanism through the smooth starting and braking action. As a result, the service life of your door is considerably increased.

**Innovative gate technology**  
**Particularly easy to fit and service**  
**as standard**



# 3

## Practical solutions

### **No downtimes resulting from a crash thanks to the SoftEdge bottom profile**

The innovative SoftEdge door technology prevents damage and resulting downtimes of the door system. Extensive repairs, such as those with rigid door profiles, usually do not become necessary. SoftEdge ensures trouble-free operation and production processes.



Take a look at the video at:  
[www.hoermann.com/videos](http://www.hoermann.com/videos)



# 4

## Innovative details

### **Radio crash switch**

The radio crash switch is concealed in the SoftEdge bottom profile. If the bottom profile is pushed out of the side guides by a crash, the radio crash switch transmits a signal to the control and **the door is stopped immediately**, fulfilling the requirements of DIN EN 13241-1. It pays to compare!

# Flexible high-speed doors

Internal doors with SoftEdge and anti-crash



## Door type V 5030 SEL

The spring steel wind locks increase the curtain stability and allow for stronger draughts. (Door shown with on-site protection frame)



**Door type V 5015 SEL**

The proven door for draught-free areas: the aluminium profiles allow the curtain segments to be quickly and inexpensively replaced in case of repair. Insect screen instead of the vision panel also available on request.

**Door type V 4015 SEL R**

The internal door with the tubular drive integrated in the door shaft: optimal solution if a laterally protruding gearbox is not possible due to limited space.



# Flexible high-speed doors

## Internal doors with SoftEdge and anti-crash

### Door type V 4015 SEL R

The tubular drive integrated in the shaft saves space when a laterally protruding gear box is not possible. As standard, the V 4015 SEL R comes with a shaft cover as trap guard as well as with spring steel wind locks or with aluminium profiles from 2500 mm door width .

### Door type V 5015 SEL

The inexpensive internal door for areas without draught comes with safety functions such as SoftEdge and light grilles as standard. The aluminium wind lock also makes the door particularly service-friendly, since curtain segments can be quickly replaced if repairs are necessary.

### Door type V 5030 SEL

Draught is always a particular challenge for doors. With the robust wind locks made of spring steel, the V 5030 SEL remains stable under small pull and wind loads. You can also optionally obtain the V 5030 SEL with aluminium bottom profile for wind class 1 (DIN EN 12424).



**V 4015 SEL R**  
Tubular drive with shaft cover and standard emergency crank handle



**V 4015 SEL R**  
Curtain stability due to aluminium profile from 2500 mm door width



**V 5015 SEL**  
Curtain stability with aluminium profiles



**V 5015 SEL**  
Optional fly-protection curtain in place of the vision panel



**V 5030 SEL**  
Spring steel wind lock for quiet door travel



# V 5030 SEL

Optional with aluminium  
bottom profile for wind class 1

## Features

Door type	V 4015 SEL R	V 5015 SEL	V 5030 SEL
<b>Suitable application</b>	Interior	Interior	Interior
<b>Size range</b>			
Max. width (mm)	4000	5000	5000
Max. height (mm)	4000	5000	5000
<b>Speed with control</b>	BK 150 FU E-1	BK 150 FU E-1	BK 150 FU E-1
Max. opening (m/s)	1,5	1,5	2,0
Closing approx. (m/s)	0,8	0,8	0,8
<b>Curtain</b>			
	PVC, spring steel wind locks in curtain pockets, aluminium profiles from 2500 mm	PVC, with aluminium profiles	PVC, spring steel wind locks in curtain pockets with side twin rollers
Temperature range	+5°C to +40°C	+5°C to +40°C	+5°C to +40°C
Fabric thickness (mm)	1,5	1,5	1,5
Vision panel thickness (mm)	2,0	2,0	2,0
<b>Curtain colours</b>			
RAL 1018 Zinc yellow	●	●	●
RAL 2004 Pure orange	●	●	●
RAL 3002 Carmine red	●	●	●
RAL 5010 Gentian blue	●	●	●
RAL 7038 Agate grey	●	●	●
<b>Emergency opening</b>			
Emergency crank handle	●	●	●
Emergency hand chain	–	○	○
Automatic door opening via UPS in case of power failure	○	○	○

● = Standard ○ = Optional

All colours based on RAL.

## Curtain colours



RAL 1018  
Zinc yellow



RAL 2004  
Pure orange



RAL 3002  
Carmine red



RAL 5010  
Gentian blue



RAL 7038  
Agate grey

# Flexible high-speed doors

Internal and external doors



## Door type V 6030 SEL

The particularly robust SoftEdge profile is specifically designed for outside use.

## Door type V 9012 L Stacking

The light and flexible door curtain is folded in the lintel area.





**Door type V 6020 TRL**

The 4-mm-thick, transparent door curtain allows light to pass through and protects against surprises during transport.

**Door type V 10008**

The V 10008 was specifically developed for large openings and high wind loads of up to 100 km/h.



# Flexible high-speed doors

## Internal and external doors

### Door type V 6030 SEL

When the SoftEdge door is used outside, collision damage in everyday work generally does not have any serious effects. Pull and wind loads up to 100 km/h do not pose problems thanks to the spring steel wind lock. You can also optionally obtain the V 6030 SEL with aluminium bottom profile for wind class 1 (DIN EN 12424).



**V 6030 SEL**  
Stabilising spring steel wind lock



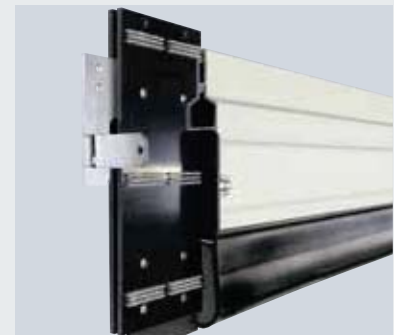
**V 6030 SEL**  
Tensioning system for reliable door travel

### Door type V 6020 TRL

The 4-mm-thick, transparent door curtain allows light to pass through and protects against surprises during transport. Optionally, a version with coloured fabric material with or without vision field is available. The coloured fabric curtain is available for door sizes from 25 m<sup>2</sup>.



**V 6020 TRL**  
Transparent for more light and visual contact



**V 6020 TRL**  
Aluminium bottom profile for more stability

### Door type V 9012 L Stacking

The light and flexible door curtain is folded in the lintel area. Up to three optional transparent sections allow full visibility along the entire door width. High-quality aluminium profiles arranged along the entire door height ensure the required stability.



**V 9012 L Stacking**  
Curtain stability with aluminium profiles



**V 9012 L Stacking**  
Integrated operator technology

### Door type V 10008

The external door was specifically developed for large openings and high wind loads. Double lashing straps, lateral twin rollers and especially wide side guides ensure safe door travel even with a high door curtain weight. The spring steel wind locks also allow for wind loads of up to 100 km/h.



**V 10008**  
Stabilising spring steel wind lock



**V 10008**  
Particularly deep curtain recess allows for high loads

**For external doors we recommend  
using a wind monitor**

## Features

Door type	V 6030 SEL	V 6020 TRL	V 9012 L Stacking	V 10008
<b>Suitable application</b>	Interior / exterior	Interior / exterior	Interior / exterior	Interior / exterior
<b>Size range</b>				
Max. width (mm)	5000	6000	9000	10000
Max. height (mm)	6000	7000	6000	6250
<b>Speed with control</b>	BK 150 FU E-1	BK 150 FU E-1 <sup>1)</sup> (AK 500 FUE-1) <sup>2)</sup>	AKE <sup>3)</sup> (AK 500 FUE-1) <sup>4)</sup>	AK 500 FUE-1
Max. opening (m/s)	2,0	2.0 (2.0)	0.8 (1.2)	1.5 (0.8) <sup>5)</sup>
Closing approx. (m/s)	0,8	0.5 (0.5)	0.8 (0.8)	0,4
<b>Resistance to wind load (EN 12424)</b>				
Door width ≤ 4000 mm	Class 2	Class 2	Class 3	Class 4
Door width > 4000 mm ≤ 5000 mm	Class 2	Class 2	Class 3	Class 3
Door width > 5000 mm		Class 2	Class 2	Class 2
<b>Curtain</b>				
	PVC, spring steel wind locks with lateral twin rollers and tensioning system	PVC, spring steel wind locks with lateral twin rollers and tensioning system	PVC, folding curtain with aluminium wind reinforcement laths	PVC, spring steel wind locks with lateral twin rollers and double tensioning system
Temperature range (Deviating temperatures on request)	+5°C to +40°C	+5°C to +40°C	+5°C to +40°C	+5°C to +40°C
Fabric thickness (mm)	1,5	2,4	0,9	1,5
Vision panel thickness (mm)	2,0	4,0	2,0	2,0
Fully transparent curtain (mm)		4,0		
<b>Curtain colours</b>				
RAL 1018 Zinc yellow	●	W	●	●
RAL 2004 Pure orange	●	W / G	●	●
RAL 3002 Carmine red	●	W	●	●
RAL 5010 Gentian blue	●	W / G	●	●
RAL 7038 Agate grey	●	W / G	●	●
<b>Emergency opening</b>				
Emergency crank handle	●	●	●	-
Emergency hand chain	○	○	○	●
Automatic door opening via UPS in case of power failure	○	○	-	-

● = Standard ○ = Optional  
W = Wind lock strips G = Optional fabric colour.

All colours based on RAL

<sup>1)</sup> Up to 95 kg; <sup>2)</sup> From 95 kg; <sup>3)</sup> Up to 200 kg; <sup>4)</sup> From 200 kg or optional; <sup>5)</sup> From 6000 mm door width

## Curtain colours



RAL 1018  
Zinc yellow



RAL 2004  
Pure orange



RAL 3002  
Carmine red



RAL 5010  
Gentian blue



RAL 7038  
Agate grey

# Flexible high-speed doors

## Internal doors for special applications



**Door type V 4015 Iso L for cold and fresh logistics**  
The energy-efficient internal door is the ideal choice for refrigerated warehouses up to 1°C.  
(Door shown with on-site protection frame)

**Door type V 2012 for supermarkets**  
The fully equipped door was especially developed as a safe internal door in commercial enterprises with high customer frequency.





**Door type V 2515 Food L for the food industry**

Thanks to a construction made entirely of stainless steel, the door can be very easily cleaned with high-pressure cleaners and water.

**Door type V 3015 Clean for clean rooms**

The door for clean rooms with pressure differences combines a high degree of tightness with complete transparency.



# Flexible high-speed doors

## Internal doors for special applications

### Door type V 4015 Iso L

The door with energy-efficient insulated curtain in internal areas for cold and fresh logistics (up to +5°C). The optional ThermoFrame separates the frame from the building structure, thus improving thermal insulation by up to 15 %.



**V 4015 Iso L**  
Stabilising wind lock



**V 4015 Iso L**  
PE foam in curtain pockets

### Door type V 2515 Food L

This door has been specifically designed for the food industry and features side guides that are particularly easy to clean. High-pressure cleaning systems and water are not a problem for the door construction, which is made entirely of stainless steel. No counter weights or springs complicate the cleaning of the frame.



**V 2515 Food L**  
Standard EPDM seal



**V 2515 Food L**  
Easy to clean: shaft, side elements and control cabinet are made entirely of stainless steel.

### Door type V 2012

Full equipment with operator and shaft cover, standard light grille (350 mm high) and automatic emergency opening via a counter weight (in case of power failure) make this flexible plastic curtain door a safe choice for indoor areas with a high customer frequency.



**V 2012**  
Light grille concealed in the door guide



**V 2012**  
Custom printing possible

### Door type V 3015 Clean

Air purification in clean rooms can result in a pressure difference of up to 50 Pa. The fully transparent curtain of the V 3015 Clean is tightly integrated in the special side guides. This minimizes air loss (leakage) and enables an optimum design for ventilation systems. A stainless steel cover on the shaft and operator, and welded-on spring steel stabilisation are further characteristics of this door.



**V 3015 Clean**  
Extremely leaktight and fully transparent



**V 3015 Clean**  
Curtain tightly integrated in the side guides



## Features

Door type	V 4015 Iso L	V 2515 Food L	V 2012	V 3015 Clean
<b>Suitable application</b>	Interior	Interior	Interior	Interior
<b>Size range</b>				
Max. width (mm)	4000	2500	2500	2500
Max. height (mm)	4500	3000	2500	3000
<b>Speed with control</b>	BK 150 FU E-1	BK 150 FU E-1	BK 150 FU E-1	BK 150 FU E-1
Max. opening (m/s)	1,5	1,2	1,2	1,5
Closing approx. (m/s)	0,5	0,5	0,5	0,5
<b>Thermal insulation (EN ISO 12424)</b>				
U-value in W/(m <sup>2</sup> ·K)	1,6			
<b>Curtain</b>				
	Insulating curtain, curtain pockets with a 20 mm thick PE foam infill	PVC with spring steel wind locks in curtain pockets	PVC with spring steel wind locks in curtain pockets	PVC with spring steel wind locks in curtain pockets
Temperature range	+1°C to +40°C	+5°C to +40°C	+5°C to +40°C	+5°C to +40°C
Fabric thickness (mm)		1,5	1,5	
Vision panel thickness (mm)		2,0	2,0	
Fully transparent curtain (mm)				4,0
<b>Curtain colours / wind lock strip colours (based on RAL)</b>				
RAL 1018 Zinc yellow	-	●	●	W
RAL 2004 Pure orange	-	●	●	W
RAL 3002 Carmine red	-	●	●	W
RAL 5010 Gentian blue	-	●	●	W
RAL 7038 Agate grey	●	●	●	W
ThermoFrame	○	-	-	-
<b>Emergency opening</b>				
Emergency crank handle	●	-	-	●
Counter weight with operating current brake	-	-	●	-
Automatic door opening via UPS in case of power failure	○	○	-	○
● = Standard ○ = Optional W = Wind lock strips				
All colours based on RAL.				

## Curtain colours



RAL 1018  
Zinc yellow



RAL 2004  
Pure orange



RAL 3002  
Carmine red



RAL 5010  
Gentian blue



RAL 7038  
Agate grey

# Flexible high-speed doors

## Internal doors for individual needs



### **Door type V 3009 Conveyor**

The V 3009 Conveyor is fitted between the operating sections and the storage areas within the conveyor system and is used to save energy and reduce draughts and noise.

### **Door type V 6030 Atex**

The high-speed door for explosive areas

**NEW from autumn 2016**  
**Door type V 6030 Atex**  
**for explosive areas**



**Door type H 3530**

Our quickest door for internal applications with horizontal opening. The door leaves open in up to 3 m/s to the sides and immediately make the full passage height available.



**Door type V 5030 MSL**

The flexible high-speed door with machine protection function protects operating personnel thanks to a monitored complete partitioning of the machine and provides fast access when needed.



# Flexible high-speed doors

## Internal doors for individual needs

### Door type V 5030 MSL

The requirements for work safety and production processes are constantly increasing. Short downtimes, easy and quick access for operation and maintenance of the production machines and of course the safety of the employees are all important for smooth production. The V 5030 MSL was developed specifically for this application.

### Door type V 3009 Conveyor

Due to the low lateral space requirements, this door is specifically designed for integration in conveyor systems and their frequent automated opening and closing cycles. The door control can be integrated in existing PLC systems. A volt-free contact reports the door position (open / closed) to the control.

### Door type V 6030 Atex // NEW

The high-speed door for explosive areas. Developed, designed and certified in accordance with the following directives: DIN EN 13463-1 and DIN EN 13463-5.

The control cabinet must always be fitted outside the Ex area.

### Door type H 3530

Our quickest door for internal applications guarantees fast traffic flow and increases safety, above all for personnel traffic. Despite the fast opening speed of 3 m/sec., soft start and stop are guaranteed by the frequency converter control, which reduces the door's wear. Additional benefit: two opening widths can be programmed for personnel and vehicles.



#### V 5030 MSL

Thanks to the safety sensors the door can open only when the machine is idle and the machine can be operated only when the door is closed.



#### V 3009 Conveyor

A vision panel gives insight into the operating procedure.



#### H 3530

The door leaves quickly open to the sides and immediately make the full passage height available.

## Features

Door type	V 5030 MSL	V 3009 Conveyor	V 6030 Atex	H 3530
<b>Suitable application</b>	Interior	Interior	Interior	Interior
<b>Size range</b>				
Max. width (mm)	4000	3500	4000	3500
Max. height (mm)	4000	3500	4000	3500
<b>Speed with control</b>	BK 150 FU E-1 <sup>1)</sup> (AK 500 FUE-1) <sup>2)</sup>	AKE (BK 150 FU E-1) <sup>3)</sup>	BS 150 FU E-1	BK 150 FU E-1
Max. opening (m/s)	1.5 (1.5)	0.8 (1.2)	1,0	3,0
Closing approx. (m/s)	0.8 (0.8)	0.8 (0.5)	0,5	1,0
<b>Resistance to wind load (EN 12424)</b>				
Door width ≤ 4000 mm	Class 1			
<b>Curtain</b>				
	PVC with spring steel wind locks	PVC with aluminium wind reinforcement laths	PVC, spring steel wind locks with lateral twin rollers and tensioning system	PVC
Temperature range	+5°C to +40°C	+5°C to +40°C	+5°C to +40°C	+5°C to +40°C
Fabric thickness (mm)	2,4	1,5	1,5	1,5
Vision panel thickness (mm)		2,0	2,0	2,0
Fully transparent curtain (mm)	4,0			
<b>Curtain colours</b>				
RAL 1018 Zinc yellow	W	●	●	W
RAL 2004 Pure orange	W / G	●	●	W
RAL 3002 Carmine red	W	●	●	W
RAL 5010 Gentian blue	W / G	●	●	W
RAL 7038 Agate grey	W / G	●	●	W
<b>Emergency opening</b>				
Emergency crank handle	●	●	●	-
Springs with pull cord	-	-	-	●
Automatic door opening via UPS in case of power failure	○	○ <sup>4)</sup>	-	-
Springs with operating current brake	-	-	-	○

● = Standard ○ = Optional  
W = Wind lock strips G = Optional fabric colour.

All colours based on RAL

<sup>1)</sup> Up to 95 kg; <sup>2)</sup> From 95 kg; <sup>3)</sup> Optional; <sup>4)</sup> Only in conjunction with control BK 150 FU E-1

## Curtain colours



RAL 1018  
Zinc yellow



RAL 2004  
Pure orange



RAL 3002  
Carmine red



RAL 5010  
Gentian blue



RAL 7038  
Agate grey

# Intelligent operator and control technology

Standard at Hörmann





## Reliable thanks to innovative equipment

Hörmann high-speed doors are up to 20 times faster than conventional industrial doors. Which is why the intelligent operator and control technology is designed for reliable continuous operation.

### Standard at Hörmann:

#### ✓ Frequency converter control

High performance frequency converter controls (FU) feature higher speeds and relieve the complete door mechanism which, in turn, extends the service life of the door considerably.

#### ✓ Door cycle counter

#### ✓ Operation time monitoring

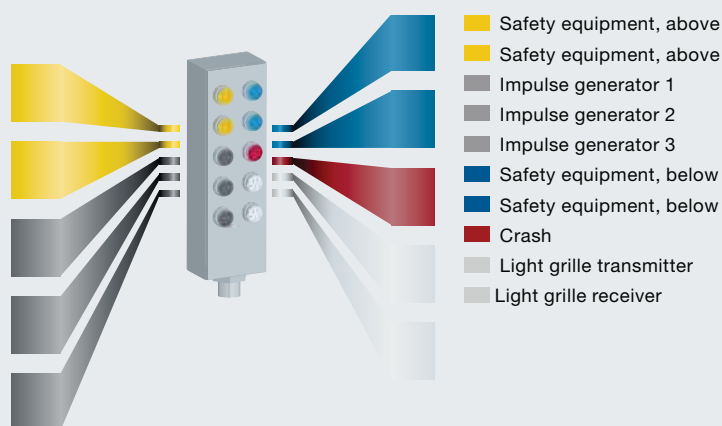
#### ✓ Automatic timer (adjustable hold-open phase)

#### ✓ Error display / diagnosis via a 4 x 7-segment display

#### ✓ Service operation setting

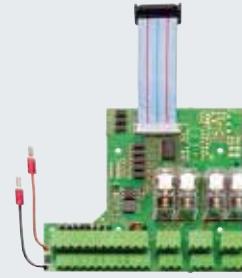
#### ✓ Colour-coded plug-in control wiring

Connection of accessory components and safety devices is made easy with colour-coded plug-in connections and connection cables. This makes fitting for initial electrical start-up quick and easy.



# FU controls

## Standard at Hörmann



**BK 150 FU E-1**  
FU control in plastic housing, IP 54,  
1-phase, 230 V

**Operation**

Open-Stop-Close membrane push button, 4 x 7-segment display to provide information on door functions

**Function**

Automatic timer, adjustable hold-open phase, safety light grille, closing edge safety device (H 3530, V 3015 Clean), stop / reopen

**Impulse generator**

Push button, pull switch, mushroom button, radar presence detector, slots for induction loop detector and remote control

**Extension options**

Main switch, emergency off button, traffic light, flashing warning light, locking, intermediate stop, extension PCB  
Steel cabinet IP 54  
Stainless steel cabinet IP 65

**Wiring**

Connecting lead 1-230 V, N, PE, fuse 16 A, slow-acting, plug-in connection between door operator and control cabinet, CEE plug, 3-pin with 1 m cable for on-site CEE socket, 16 A  
Colour-coded plug-in control wiring

**Housing dimensions**

230 x 460 x 200 mm

**Compatible door types**

V 4015 SEL R  
V 5015 SEL  
V 5030 SEL  
V 6030 SEL  
V 6020 TRL (up to 95 kg)  
V 5030 MSL (up to 95 kg)  
V 2012  
V 4015 Iso L  
V 9012 L Stacking  
H 3530  
V 3009 Conveyor  
V 3015 Clean

**AK 500 FUE-1**  
FU control in plastic housing IP 54  
three-phase, 400 V

**Operation**

Open-Stop-Close membrane push button, emergency-off button, 4 x 7-segment display for information on door functions, lockable main switch

**Function**

Automatic timer, adjustable hold-open phase, safety light grille, closing edge safety device (V 10008, Iso Speed Cold), stop / reopen

**Impulse generator**

Push button, pull switch, mushroom button, radar presence detector, slots for induction loop detector and remote control

**Extension options**

Traffic light, flashing warning light, locking, intermediate stop, extension circuit board  
Steel cabinet IP 54  
stainless steel cabinet IP 65

**Wiring**

Connecting lead 3 - 400 V, N, PE, fuse 16 A, slow-acting, plug-in connection between door operator and control cabinet, connecting lead cross section 5 x 2.5 mm<sup>2</sup> (depending on national standards), colour-coded plug-in control wiring

**Housing dimensions**

230 x 460 x 200 mm

**Compatible door types**

HS 7030 PU 42  
HS 5015 PU N 42  
HS 5015 PU H 42  
HS 6015 PU V 42  
HS 5015 PU H 67  
HS 6015 PU V 67  
HS 5015 Acoustic H  
Iso Speed Cold H 100  
Iso Speed Cold V 100  
V 10008  
V 9012 L Stacking  
V 5030 SEL  
V 6030 SEL  
V 6020 TRL (from 95 kg)  
V 5030 MSL (from 95 kg)

**Extension PCB for controls:**  
**BK 150 FU E-1 (E FU H)**  
**AK 500 FUE-1 (E FU H)**

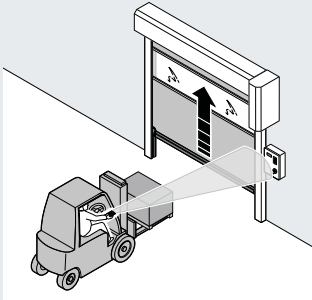
**E FU H**

Lock controller,  
6 additional switch outputs  
(1 x 4, 2 x 1 volt-free)  
6 additional digital inputs



# Accessories

## Options for operation:



**Radio remote controls**



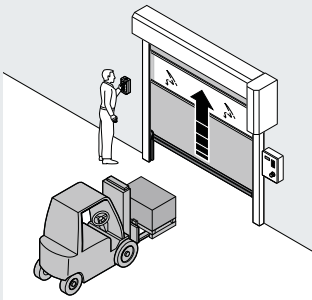
**1-button hand transmitter  
HS 1 BS**  
Black structured surface with chrome caps



**Industrial hand transmitter  
HSI BS**  
To control up to 1000 doors, with a display and extra-large quick selection buttons for easier operation with work gloves, transferring of hand transmitter coding to other devices possible



**Receiver HER 1 (1-channel)**  
with volt-free relay output in a separate housing without connecting lead or as a **plug-in circuit board in the control cabinet**



**Manually operated impulse generators**



**Push button**  
2x "Open / Close"  
Plastic housing, IP 65



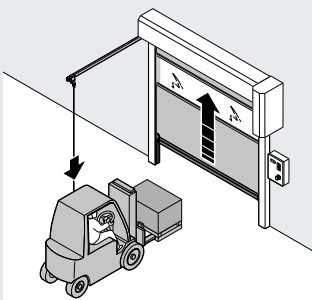
**Push button**  
3x "Open / Emergency-off / Close"  
Plastic housing, IP 65



**Mushroom button**  
With large operating surface  
Plastic housing, IP 65



**Magic switch // NEW**  
Sensor for non-contact opening  
Plastic housing, IP 52



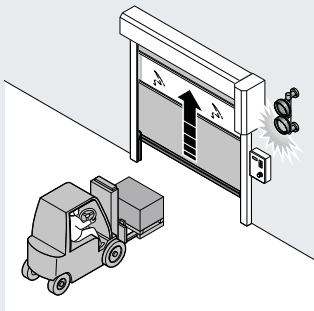
**Manually operated impulse generators**



**Pull switch with plastic pull cord**  
Horizontal or vertical fitting possible, aluminium die-cast housing IP 65, cord length 4 m

# Accessories

## Controlling options, safety equipment



**Safety equipment**



**Warning light  
Ø 150 mm**  
Red, in plastic housing with mounting strap, IP 65



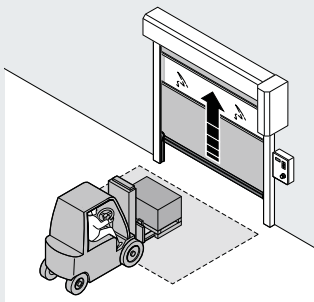
**Warning light  
Ø 150 mm**  
Red, green, in plastic housing, with fitting support, IP 65



**Rotating warning light**  
Red or yellow, in plastic housing, IP 54



**Flashing warning light**  
Orange, in plastic housing, IP 65



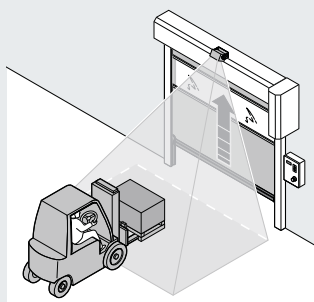
**Control / induction loops**



**External control element for FUE-1**  
For easy operation and programming, can be placed independent from the control, same control buttons as on the control as well as 4 x 7-segment display



**Induction loop detector**  
1 or 2-channel plug-in print suitable for two separate induction loops, supplied without loop cable



**Remote controls / sensors**



**Radar movement detector MWD**  
Fast and targeted automatic door opening, directional recognition, max fitting height 7 m, fitting in cold store possible up to max. 22°C, housing protection category IP 65

# Hörmann product range

Everything from a single source for your construction project



Quick service with testing, maintenance and repairs  
Our extensive service network means that we are always nearby and at your service around the clock.



**1** Sectional doors



**2** Rolling shutters and rolling grilles



**3** High-speed doors



**4** Loading technology



**5** Steel and stainless steel sliding doors



**6** Steel and aluminium multi-function doors



**7** Steel and stainless steel doors



**8** Steel frames with high-quality timber function doors from Schörghuber



**9** Fully glazed tubular frame parts



**10** Automatic sliding doors



**11** Visibility window



**12** Collective garage doors

# Hörmann: Quality without Compromise



Hörmann KG Amshausen, Germany



Hörmann KG Antriebstechnik, Germany



Hörmann KG Brandis, Germany



Hörmann KG Brockhagen, Germany



Hörmann KG Dissen, Germany



Hörmann KG Eckelhausen, Germany



Hörmann KG Freisen, Germany



Hörmann KG Ichttershausen, Germany



Hörmann KG Werne, Germany



Hörmann Genk NV, Belgium



Hörmann Alkmaar B.V., Netherlands



Hörmann Legnica Sp. z o.o., Poland



Hörmann Beijing, China



Hörmann Tianjin, China



Hörmann LLC, Montgomery IL, USA



Hörmann Flexon LLC, Burgettstown PA, USA

Hörmann is the only manufacturer worldwide that offers you a complete range of all major building products from one source. We manufacture in highly-specialised factories using the latest production technologies. The close-meshed network of sales and service companies throughout Europe, and activities in the USA and China, make Hörmann your strong partner for first-class building products, offering “Quality without Compromise”.

**GARAGE DOORS**  
**OPERATORS**  
**INDUSTRIAL DOORS**  
**LOADING EQUIPMENT**  
**HINGED DOORS**  
**DOOR FRAMES**

